

WTNV128 - Triaxial compression test not drained with the model of Hoek-Brown modified in effective constraints

Summary

This test makes it possible to validate the elastoplastic law of behavior of Hoek-Brown modified in effective constraints, that is to say `HOEK_BROWN_EFF` with hydraulic coupling. It is about a triaxial compression test in not drained condition. The aspect not drained is modelled by a worthless voluminal deformation of the skeleton and the hydraulic coupling is taken into account. The sample is completely saturated, the incompressible skeleton and the fluid being supposed.

For reasons of symmetry, one is interested only in the eighth of a sample subjected to a triaxial compression test.

The level of containment applied is of 5 MPa .

It is about a test of nonregression.

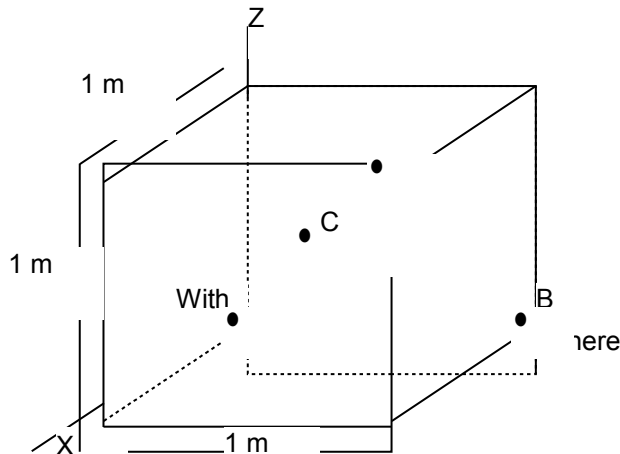
Modeling A is a modeling of the type `3D_HM` with integration at the points of Gauss.

Modeling B is a modeling of the type `3D_HMS` with integration at the points of Gauss or the nodes (see Doc. [R7.01.10]).

1 Problem of reference

1.1 Geometry

A cube of dimension here is considered $1\text{m} \times 1\text{m} \times 1\text{m}$.



Coordinates of the points (in m):

	<i>A</i>	<i>B</i>	<i>C</i>	<i>D</i>
<i>x</i>	0	0	0.5	1
<i>y</i>	0	1	0.5	1
<i>z</i>	0	0	0.5	1

1.2 Properties of material

Parameters of the elastic law of behavior:

$$E = 4500 \text{ MPa}$$

$$\nu = 0.3$$

Parameters of the law of Hoek-Brown modified:

$$\gamma^{rup} = 0.005$$

$$\gamma^{res} = 0.017$$

$$(S \sigma_c^2)^{end} = 225 \text{ MPa}^2$$

$$(S \sigma_c^2)^{rup} = 482.5675 \text{ MPa}^2$$

$$(m \sigma_c^2)^{end} = 13.5 \text{ MPa}$$

$$(m \sigma_c^2)^{rup} = 83.75 \text{ MPa}$$

$$\beta = 3 \text{ MPa}$$

$$\phi^{rup} = 15^\circ$$

$$\phi^{res} = 30^\circ$$

$$\alpha = 3.3$$

1.3 Initial conditions, with the limits and loading

The test breaks up into two phases:

- 1) Initially, one brings the sample in a homogeneous state $\sigma_{xx}^0 = \sigma_{yy}^0 = \sigma_{zz}^0$. For that, the corresponding confining pressure is imposed on the front faces ($x = 1$), side right-hand side ($y = 1$) and higher ($z = 1$), the water pressures are taken worthless everywhere and displacements are taken worthless on the faces postpones ($u_x|_{x=0} = 0$), side left ($u_y|_{y=0} = 0$) and lower ($u_z|_{z=0} = 0$).
- 2) Once the homogeneous state obtained, displacements are maintained blocked on the faces postpones, side left and lower. Hydraulic flows are worthless on all the faces. A displacement is imposed on the higher face ($u_z(t)$) in order to obtain a deformation ε_{zz} equalize with $- 25\%$ starting from the beginning of the second phase, by constant increments of deformation $\Delta\varepsilon_{zz} = - 2.5E - 4$. On the front faces and side right-hand side, one imposes boundary conditions in total constraint: $\sigma \cdot n = \sigma^0 = - 5MPa$.

2 Modeling A

2.1 Characteristics of modeling

Modeling 3D

Cutting: 1m in height, 1m in width

Loading of phase 1: $\sigma_{xx}^0 = \sigma_{yy}^0 = \sigma_{zz}^0 = -5$ MPa (confining pressure)

Boundary conditions: $u_x|_{x=0} = u_y|_{y=0} = u_z|_{z=0} = 0$

Coefficient of Biot: 1

UN_SUR_K water: 0 (coefficient of incompressibility of water)

Modeling: 3D_HM

2.2 Characteristics of the grid

Many nodes: 20

Many meshes and types: 6 QUAD8 and 1 HEXA20

2.3 Sizes tested and results

Localization	Sequence number	Constraint (MPa)	Code_Aster
Not D	16	σ_{xx}	-0.239568
	28	σ_{xx}	-0.257851
	36	σ_{xx}	-1.10550
	44	σ_{xx}	-4.29762
	52	σ_{xx}	-7.28266
	80	σ_{xx}	-15.7587
	16	σ_{yy}	-0.239568
	28	σ_{yy}	-0.257851
	36	σ_{yy}	-1.10550
	44	σ_{yy}	-4.29762
52	σ_{yy}	-7.28266	
80	σ_{yy}	-15.7587	
16	σ_{zz}	-16.0195	
28	σ_{zz}	-20.4913	
36	σ_{zz}	-24.7968	
44	σ_{zz}	-28.9045	
52	σ_{zz}	-33.7174	
80	σ_{zz}	-54.1101	
16	Pressure water	5.23957	
44	Pressure water	0.702380	
80	Pressure water	-10.7587	

3 Modeling B

3.1 Characteristics of modeling

Modeling 3D

Cutting: 1m in height, 1m in width

Loading of phase 1: $\sigma_{xx}^0 = \sigma_{yy}^0 = \sigma_{zz}^0 = -5$ MPa (confining pressure)

Boundary conditions: $u_x|_{x=0} = u_y|_{y=0} = u_z|_{z=0} = 0$

Coefficient of Biot: 1

UN_SUR_K water: 0 (coefficient of incompressibility of water)

Modeling: 3D_HMS

3.2 Characteristics of the grid

Many nodes: 20

Many meshes and types: 6 QUAD8 and 1 HEXA20

3.3 Sizes tested and results

Localization	Sequence number	Constraint (MPa)	Code_Aster
Not D	16	σ_{xx}	-0.239568
	28	σ_{xx}	-0.257851
	36	σ_{xx}	-1.10550
	44	σ_{xx}	-4.29762
	52	σ_{xx}	-7.28266
	80	σ_{xx}	-15.7587
	16	σ_{yy}	-0.239568
	28	σ_{yy}	-0.257851
	36	σ_{yy}	-1.10550
	44	σ_{yy}	-4.29762
	52	σ_{yy}	-7.28266
	80	σ_{yy}	-15.7587
	16	σ_{zz}	-16.0195
	28	σ_{zz}	-20.4913
	36	σ_{zz}	-24.7968
	44	σ_{zz}	-28.9045
52	σ_{zz}	-33.7174	
80	σ_{zz}	-54.1101	
16	Pressure water	5.23957	
44	Pressure water	0.702380	
80	Pressure water	-10.7587	

4 Summary of the results

This case test is a test of not-regression developed to validate the model of Hoek-Brown modified in effective constraints, HOEK_BROWN_EFF, with hydraulic coupling.

One gets the same results with two modelings 3D_HM or 3D_HMS.